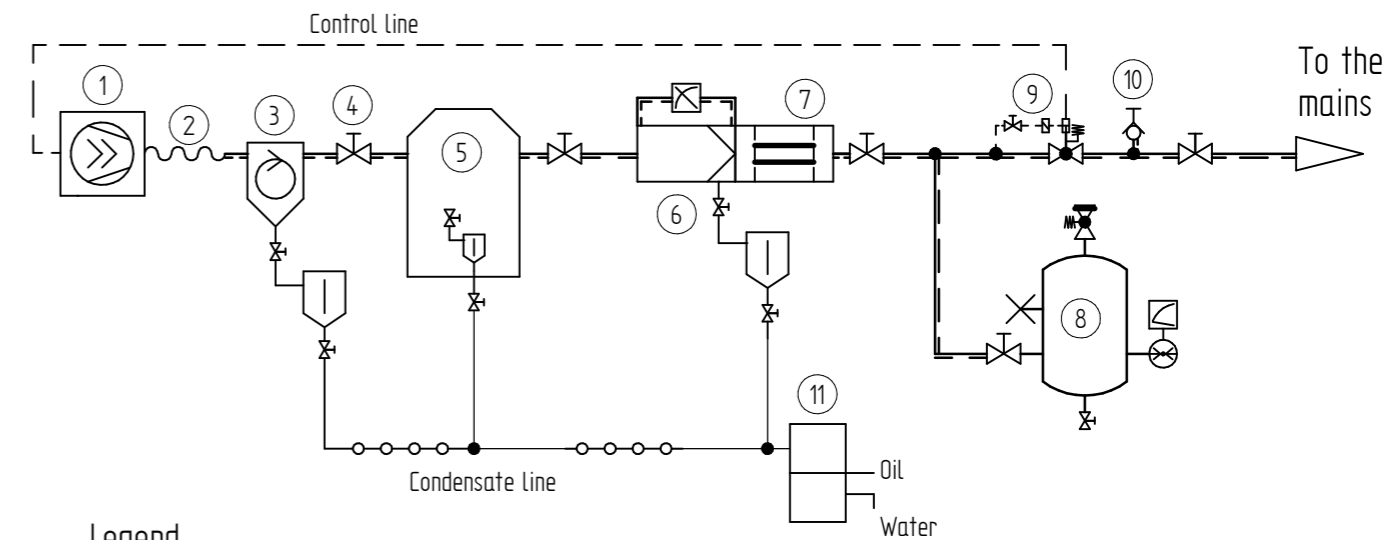
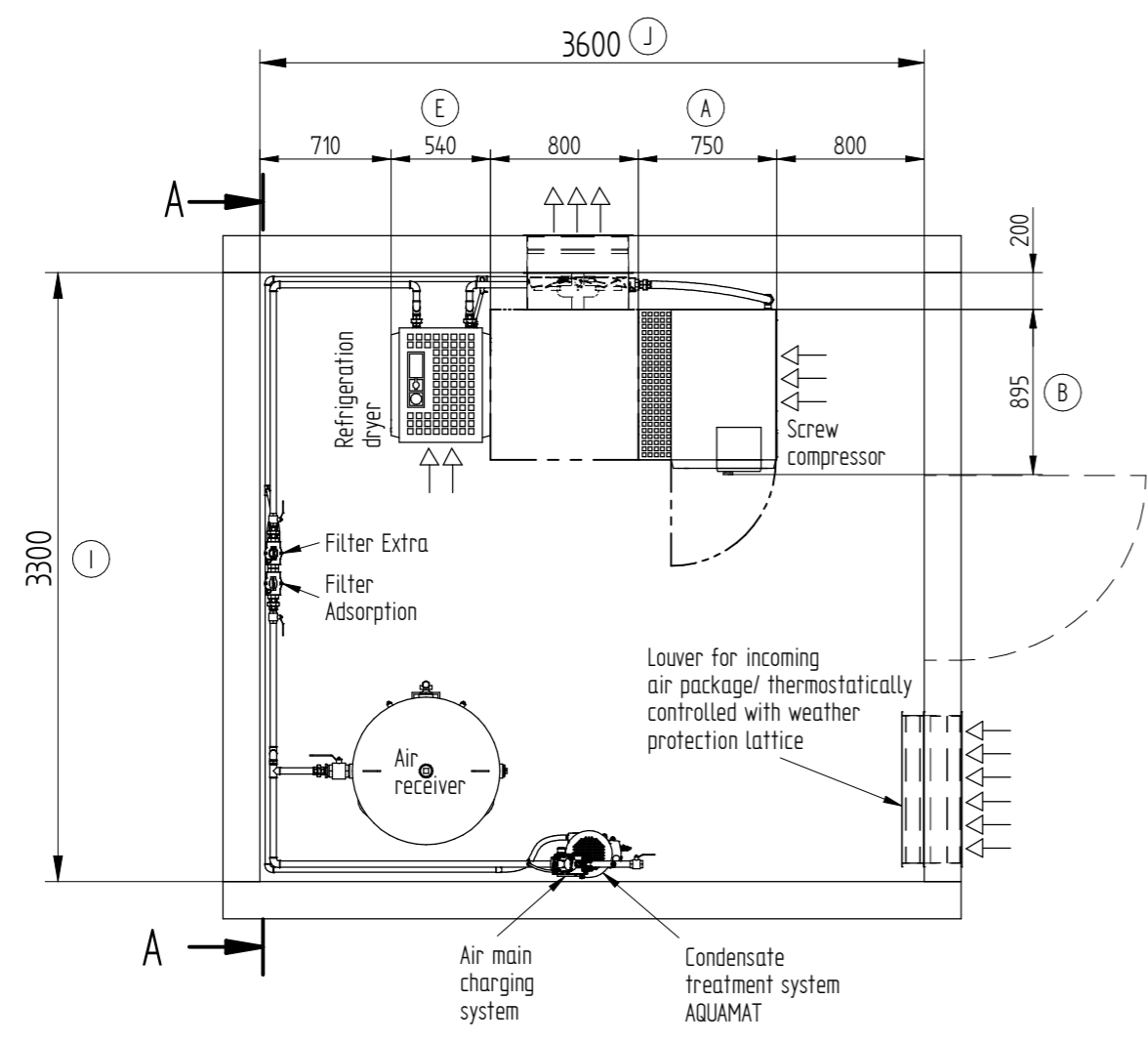
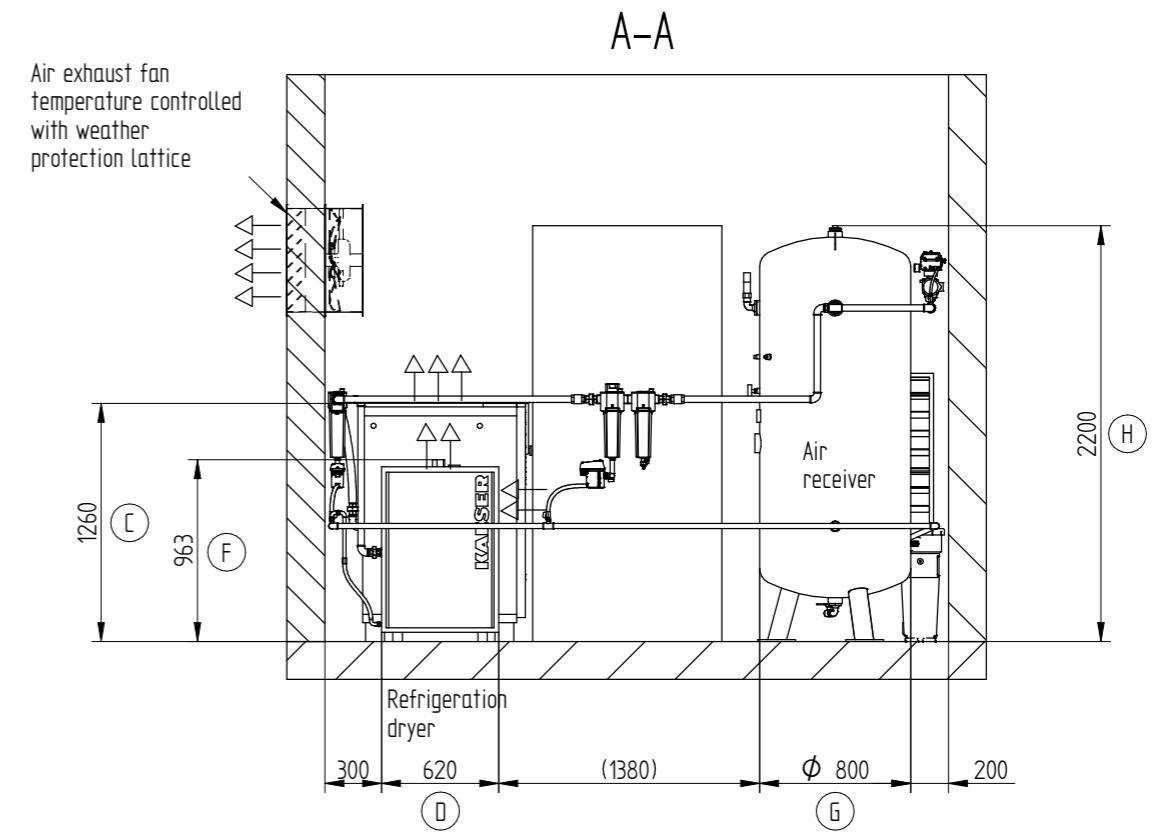
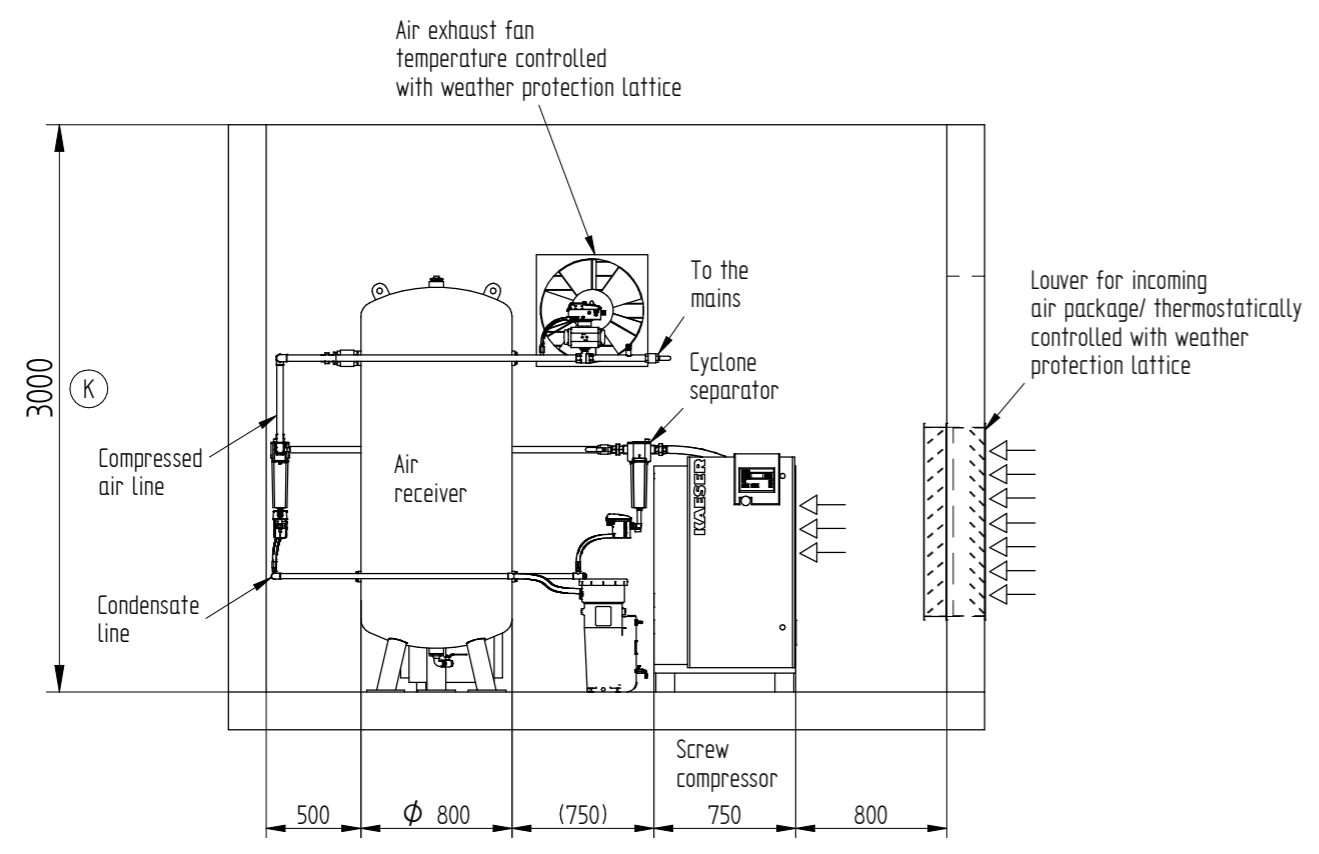


Drawings remain our exclusive property. They are entrusted only for the agreed purpose. Copies or any other reproduction, including storage, treatment and dissemination by use of electronic systems must not be made for any other than the agreed purpose. Neither originals nor reproductions may be given to or made available to third parties.

Design limits for ambient temperature
 min.: + 3° C
 max.: + 25° C



- Legend**
- 1 Screw compressor
 - 2 Hose line
 - 3 Cyclone separator with electronic condensate drain
 - 4 Ball valve
 - 5 Refrigeration dryer
 - 6 Filter Extra with electronic condensate drain
 - 7 Filter Adsorption
 - 8 Air receiver, vertical
 - 9 Air main charging system DHS (ensured air supply)
 - 10 Hose coupling (Service DHS)
 - 11 Condensate treatment system

Technical data see page 2 - 3
 Code letters A - K see page 3

This drawing also contains work to be done on site. The regulations of EN 1012 and national regulations for setting up of power installations like VDE 0100 have to be observed; the requirements of existing operational safety ordinance and the manuals have to be considered by the operator and the employer respectively at the place of installation. The national safety and accident prevention regulations have to be observed. The installation of a sub-assembly in terms of the pressure equipment directive 2014/ 68/ EU has to be carried out according to this directive.

Project number	LYMU0000403					
Status	Concept					
07				Date	Name	Sample layout sketch// 25° C / Screw compressor SX.2 / SM.3 / SK.2 with exhaust air fan / (Shown SK 25, TB 26, F 26 KE, F 26 KA)
06				Drawing	4/12/2018 nahhas1	
05				Check	4/12/2018 Hobusch	
04				Approval	4/12/2018 Hobusch	
03	Layout sketch	04/12/2018	Nahhas	Template Rev. 09.06.2017		
02	Layout sketch	11/24/2016	Nahhas			
01	Layout sketch	04/12/2011				
00	Layout sketch	06/27/2007				
Rev.	Change	Date	Name	Original		Sketch Page 1 of 3 P&I Diagram Sketch LYMU0000403
						Page size DIN A3 / 1:50 Description Replaces Replaced by

ATTENTION!
 Minimum width of door = total width of component + 100 mm

Condensate lines have to be connected to a collecting line via swan neck or are to be fed to the condensate treatment system separately. A pressure-less drain has to be provided for.

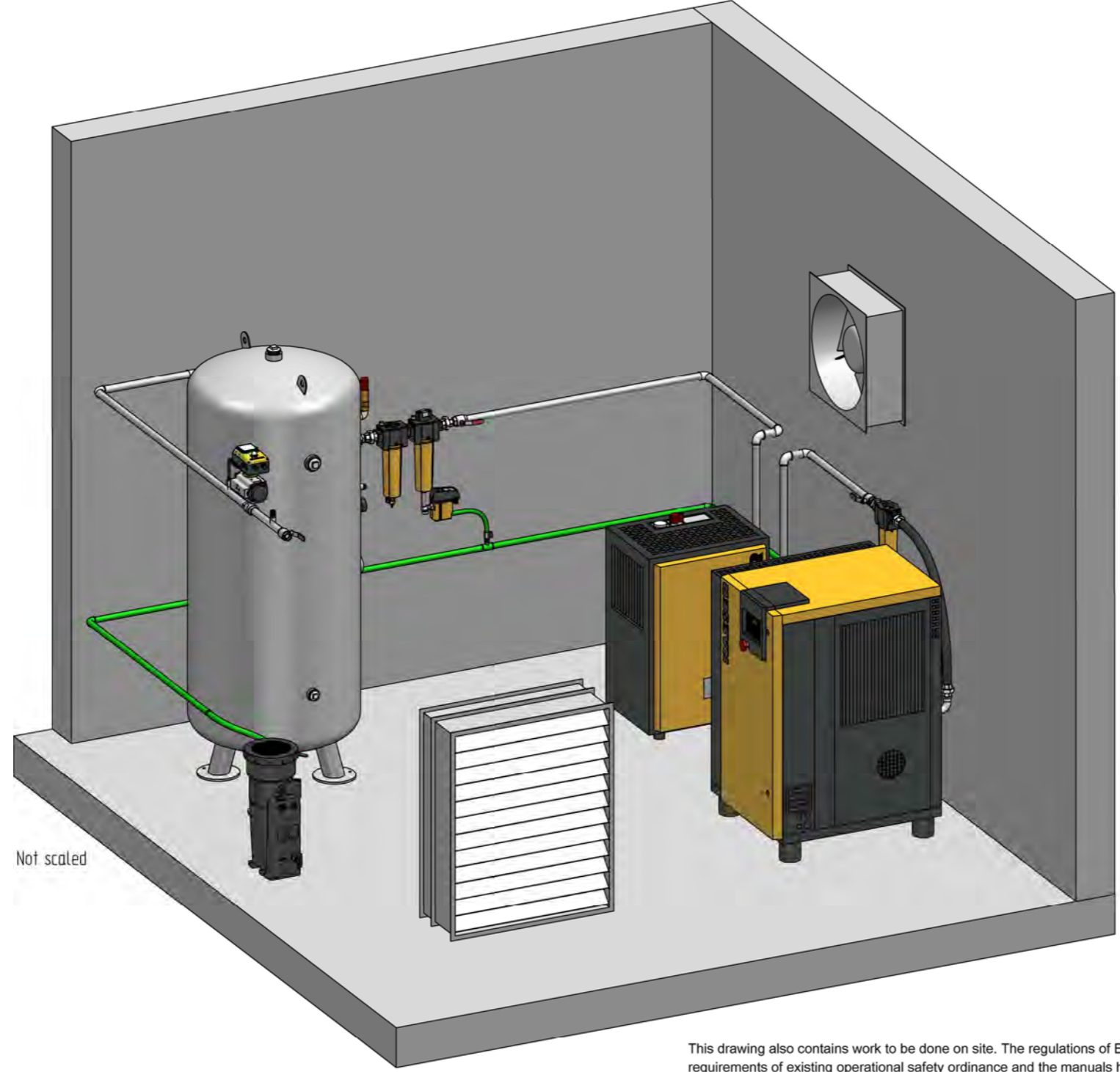
Drawings remain our exclusive property. They are entrusted only for the agreed purpose. Copies or any other reproduction, including storage, treatment and dissemination by use of electronic systems must not be made for any other than the agreed purpose. Neither originals nor reproductions may be given to or made available to third parties.

Die Zeichnung bleibt unser ausschließliches Eigentum. Sie wird nur zu dem vereinbarten Zweck anvertraut und darf zu keinem anderen Zweck verwendet werden. Kopien oder sonstige Vervielfältigungen einschließlich Speicherung, Verarbeitung oder Verbreitung unter Verwendung elektronischer Systeme dürfen nur zu dem vereinbarten Zweck angefertigt werden. Weder Original noch Vervielfältigungen dürfen Dritten ausgehändigt oder in sonstiger Weise zugänglich gemacht werden.

1	2	3	4	5	6	7	8															
Compressor model	Working pressure [bar(g)]	Compressed air connection	Air entrance aperture free cross section per compressor [m ²]	Incoming air volume per compressor [m ³ /h]	Cyclone Separator	Compressed air connection	ECO-DRAIN b)	Refrigeration dryer model a)	Compressed air connection	Air entrance aperture (free cross section) per dryer [m ²]	Incoming air volume per dryer [m ³ /h]	Exhaust air fan (thermostatically controlled) [m ³ /h]	Filter Extra	Compressed air connection	ECO-DRAIN b)	Filter Adsorption	Compressed air connection	Air receiver [l]	Compressed air connection	Air main charging system	Compressed air connection	Condensate treatment system AQUAMAT b)
SK 22	8	G 1	0.6	4620	F 26 KC	G 1	31	TB 19	G 1	0.1	850	5350	F 22 KE	G 1	31 F	F 22 KA	G 1	900	2 × G 2; 2 × G 1½	DHS 25 G	G 1	CF 6
SK 25	8	G 1	0.7	5650	F 26 KC	G 1	31	TB 26	G 1	0.1	1040	6540	F 26 KE	G 1	31 F	F 26 KA	G 1	900	2 × G 2; 2 × G 1½	DHS 25 G	G 1	CF 6

a) Designed for reference terms
DIN ISO 7183 Option A

Design limits for ambient temperature
min: + 3° C
max: + 25° C
b) Climatic zone 2



Air receiver represents minimum recommended size

This drawing also contains work to be done on site. The regulations of EN 1012 and national regulations for setting up of power installations like VDE 0100 have to be observed; the requirements of existing operational safety ordinance and the manuals have to be considered by the operator and the employer respectively at the place of installation. The national safety and accident prevention regulations have to be observed. The installation of a sub-assembly in terms of the pressure equipment directive 2014/ 68/ EU has to be carried out according to this directive.

Project number	LYMU0000403				
Status	Concept				
07			Date	Name	
06			Drawing	4/12/2018	nahas1
05			Check	4/12/2018	Hobusch
04			Approval	4/12/2018	Hobusch
03	Layout sketch	04/12/2018	Nahas	Template Rev. 09.06.2017	
02	Layout sketch	11/24/2016	Nahas		
01	Layout sketch	04/12/2011			
00	Layout sketch	06/27/2007			
Rev.	Change	Date	Name	Original	

Sample layout sketch// 25° C / Screw compressor		
SX.2 / SM.3 / SK.2 with exhaust air fan / (Shown SK 25, TB 26, F 26 KE, F 26 KA)		
Sketch	Page 2 of 3	Page size DIN A3 / 1:50
P&I Diagram		Description
Sketch	LYMU0000403	
Replaces		Replaced by

ATTENTION!
Minimum width of door = total width of component + 100 mm

Condensate lines have to be connected to a collecting line via swan neck or are to be fed to the condensate treatment system separately. A pressure-less drain has to be provided for.

Drawings remain our exclusive property. They are entrusted only for the agreed purpose, including storage, treatment and dissemination by use of electronic systems must not be made for any other than the agreed purpose. Neither originals nor reproductions may be given to or made available to third parties.

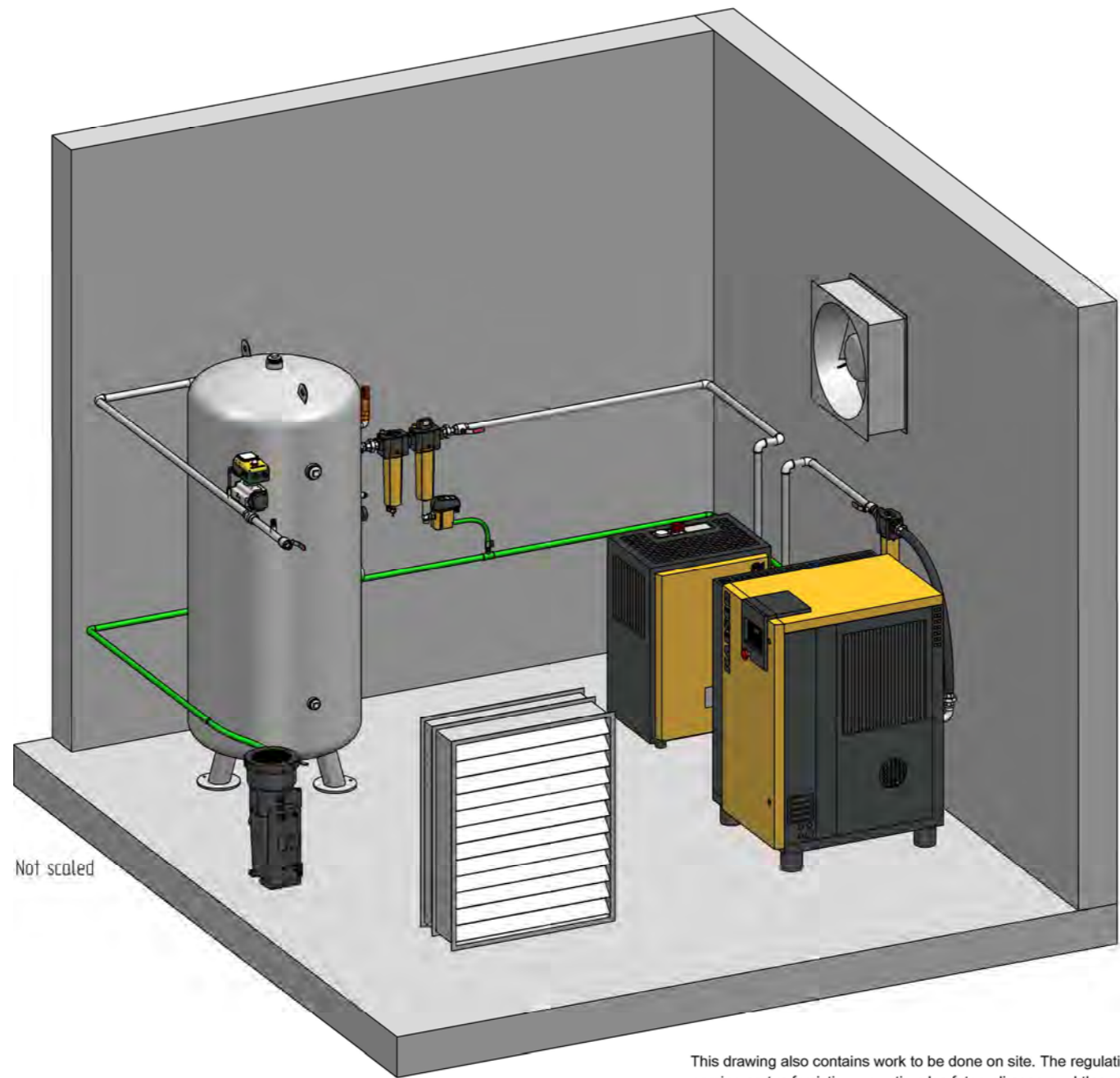
Die Zeichnung bleibt unser ausschließliches Eigentum. Sie wird nur zu dem vereinbarten Zweck anvertraut und darf zu keinem anderen Zweck verwendet werden. Kopien oder sonstige Vervielfältigungen einschließlich Speicherung, Verarbeitung oder Verbreitung unter Verwendung elektronischer Systeme dürfen nur zu dem vereinbarten Zweck angefertigt werden. Weder Original noch Vervielfältigungen dürfen Dritten ausgehändigt oder in sonstiger Weise zugänglich gemacht werden.

Compressor model	Working pressure [bar(g)]	Compressed air connection	Air entrance aperture free cross section per compressor [m ²]	Incoming air volume per compressor [m ³ /h]	Cyclone Separator	Compressed air connection	ECO-DRAIN b)	Refrigeration dryer model a)	Compressed air connection	Air entrance aperture (free cross section) per dryer [m ²]	Incoming air volume per dryer [m ³ /h]	Exhaust air fan (thermostatically controlled) [m ³ /h]	Filter Extra	Compressed air connection	ECO-DRAIN b)	Filter Adsorption	Compressed air connection	Air receiver [l]	Compressed air connection	Air main charging system	Compressed air connection	Condensate treatment system AQUAMAT b)
SX 3	8	G 3/4	0.2	1020	F 9 KC	G 3/4	31	TA 5	G 3/4	0.1	780	1780	F 6 KE	G 3/4	31 F	F 6 KA	G 3/4	150	2 × G 3/4	DHS 20 G	G 3/4	CF 3
SX 4	8	G 3/4	0.2	1230	F 9 KC	G 3/4	31	TA 5	G 3/4	0.1	780	1980	F 6 KE	G 3/4	31 F	F 6 KA	G 3/4	150	2 × G 3/4	DHS 20 G	G 3/4	CF 3
SX 6	8	G 3/4	0.3	1540	F 9 KC	G 3/4	31	TA 5	G 3/4	0.1	780	2280	F 6 KE	G 3/4	31 F	F 6 KA	G 3/4	250	2 × G 3/4	DHS 20 G	G 3/4	CF 3
SX 8	8	G 3/4	0.3	2050	F 9 KC	G 3/4	31	TA 8	G 3/4	0.1	780	2780	F 9 KE	G 3/4	31 F	F 9 KA	G 3/4	350	2 × G 1	DHS 20 G	G 3/4	CF 3
SM 10	8	G 3/4	0.2	2550	F 9 KC	G 3/4	31	TA 11	G 3/4	0.1	780	3280	F 9 KE	G 3/4	31 F	F 9 KA	G 3/4	350	2 × G 1	DHS 20 G	G 3/4	CF 3
SM 13	8	G 3/4	0.35	3070	F 26 KC	G 3/4	31	TA 11	G 3/4	0.1	780	3780	F 16 KE	G 3/4	31 F	F 16 KA	G 3/4	500	2 × G 1	DHS 20 G	G 3/4	CF 3
SM 16	8	G 3/4	0.5	3690	F 26 KC	G 3/4	31	TB 19	G 1	0.1	850	4450	F 16 KE	G 1	31 F	F 16 KA	G 1	500	2 × G 1	DHS 25 G	G 1	CF 3

a) Designed for reference terms
DIN ISO 7183 Option A

Design limits for ambient temperature
min: + 3° C
max: + 25° C

b) Climatic zone 2



Condensate lines have to be connected to a collecting line via swan neck or are to be fed to the condensate treatment system separately. A pressure-less drain has to be provided for.
Air receiver represents minimum recommended size.
ATTENTION!
Minimum width of door = total width of component + 100 mm

This drawing also contains work to be done on site. The regulations of EN 1012 and national regulations for setting up of power installations like VDE 0100 have to be observed; the requirements of existing operational safety ordinance and the manuals have to be considered by the operator and the employer respectively at the place of installation. The national safety and accident prevention regulations have to be observed. The installation of a sub-assembly in terms of the pressure equipment directive 2014/ 68/ EU has to be carried out according to this directive.

Component	SX 3 / SX 4			TA 5			Receiver 150 l		Room		
Code letter	A	B	C	D	E	F	G	H	I	J	K
Dimensions	590	632	970	630	484	779	450	1190	2900	3400	2700

Component	SM 10			TA 11			Receiver 350 l		Room		
Code letter	A	B	C	D	E	F	G	H	I	J	K
Dimensions	630	790	1100	630	484	779	550	1810	3000	3400	2800

Component	SX 6			TA 8			Receiver 250 l		Room		
Code letter	A	B	C	D	E	F	G	H	I	J	K
Dimensions	590	632	970	630	484	779	500	1540	2900	3400	2700

Component	SM 13			TA 11			Receiver 500 l		Room		
Code letter	A	B	C	D	E	F	G	H	I	J	K
Dimensions	630	790	1100	630	484	779	600	1925	3100	3400	2900

Component	SX 8			TA 11			Receiver 350 l		Room		
Code letter	A	B	C	D	E	F	G	H	I	J	K
Dimensions	590	632	970	630	484	779	550	1810	3000	3400	2800

Component	SM 16			TB 19			Receiver 500 l		Room		
Code letter	A	B	C	D	E	F	G	H	I	J	K
Dimensions	630	790	1100	620	540	963	600	1925	3100	3400	2900

Project number	LYMU0000403				
Status	Concept				
07				Date	Name
06				Drawing	4/12/2018 nahhas1
05				Check	4/12/2018 Hobusch
04				Approval	4/12/2018 Hobusch
03	Layout sketch	04/12/2018	Nahhas	Template Rev. 09.06.2017	
02	Layout sketch	11/24/2016	Nahhas		
01	Layout sketch	04/12/2011			
00	Layout sketch	06/27/2007			
Rev.	Change	Date	Name	Original	

Sample layout sketch// 25° C
/ Screw compressor

SX.2 / SM.3 / SK.2 with exhaust air fan
/ (Shown SK 25, TB 26, F 26 KE, F 26 KA)

KAESER
KOMPRESSOREN

Sketch Page 3 of 3
P&I Diagram
Sketch LYMU0000403

Page size Description
DIN A3 / 1:50

Replaces Replaced by